

Flea-Free Collar Instruction Manual

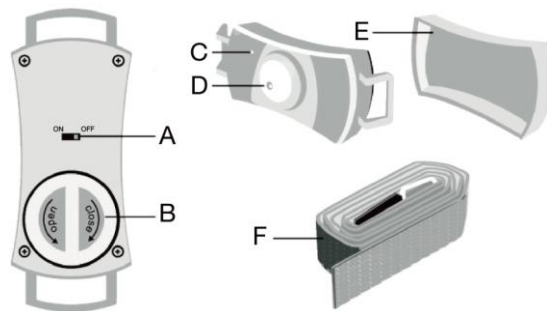
The **Flea-Free Collar** is an effective and safe way to protect pets from fleas and ticks. Pet's fur is not always completely saturated with powder, allowing some pests to live in areas of the animal's body. Therefore, the flea-free collar is considered a solution to bring you a trouble-free operation.

Features:

- Applicable for dogs, cats, and other pets.
- No chemicals or pesticides required.
- Keep pets calm and comfortable while repelling fleas.
- 100% safe and very effective for pets.
- Free from odor, anxiety, and chemicals

Parts Diagram:

- A. ON / OFF Switch
- B. Battery Cover
- C. LED Indicator Light
- D. Transducer
- E. Back Cover
- F. Nylon Collar

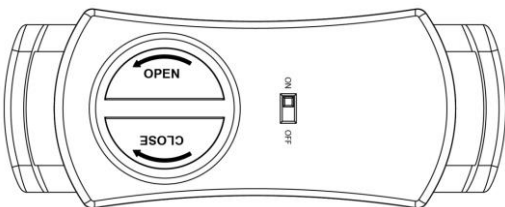


How does it work?

It is safe for pets and owners. Ultrasound is well out of hearing range of humans, dogs and cats. It emits pure 40,000Hz frequency to create sounds of discomfort in which fleas dislike. It has an effective area of 4 feet, so it can be also be used in a kennel or bed. The device must be pointing at ground in order for maximum coverage of the ultrasonic wave. Before using the Flea-Free Collar, comb your pet's hair completely. Keep combing the pet's hair and allow at least 5 days for optimal results. As a result, you will find a significant less amount of fleas on your pet; full protection may take up to 6 weeks.

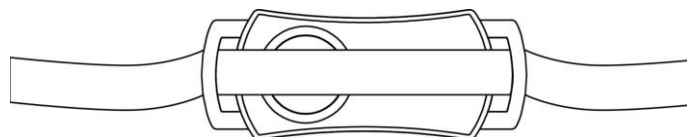
Replacing the battery

To replace the battery, simply turn the **Battery Cover (B)** counterclockwise to open.



Tying to the dog's collar

Thread one end of the **Nylon Collar (F)** through each of the two loops on the Flea-Free Collar.



Specifications:

- Coverage: 4 feet
- Size: 75 (L) x 30 (W) x 22 (D) mm / 2.95" (L) x 1.18" (W) x 0.87" (D)
- Weight: 22 g
- Life Expectancy: 1,000+ hours
- Power Supply: 3V / CR2032 Cell Size Battery x 1